

# GPS Mouse for XL3



The GPS Mouse for NTi Audio XL3 Acoustic Analyzer seamlessly enhances XL3 devices with accurate location and timing data. It features impressive sensitivity and compatibility with multiple satellite systems. Upon successful position fix, the top LED initiates a flashing indicator. Effortless mounting is facilitated by a bottom magnet, with optimal performance achieved when the LED side faces the sky.

## Features

- Satellite Compatibility: GPS, GLONASS, QZSS
- Accurate Timing: PPS over USB
- Position Fix Indication: LED
- Convenient Mounting: Built-in Magnet on the back side

## Installation

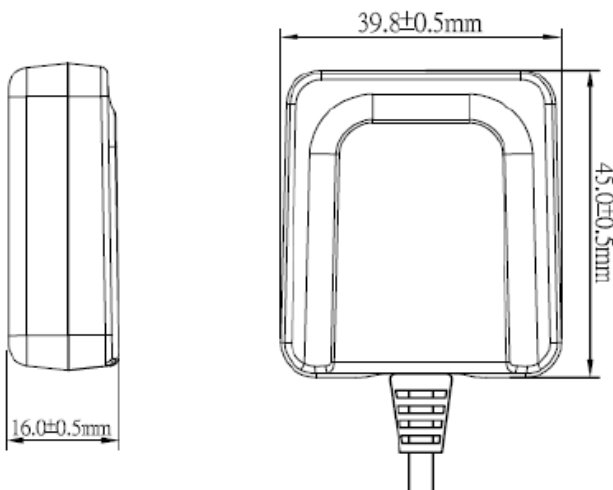
- Connect to XL3 via USB-A
- Ensure the LED side is facing the sky
- On the XL3 display, check the status:



A GPS Mouse for XL3 is connected and working



The signal is too weak to get the GPS location



## Specifications

GPS/QZSS receiver type	72-channel u-blox M8 engine GPS & QZSS: L1 C/A, 1575.42 MHz, GLONASS: L1OF, 1598.0625~1605.375 MHz
Horizontal Position Accuracy	2.5 m
Accuracy of PPS Time Pulse over USB	0.5 ms
TTFF (Time to First Fix) (50%, -130dBm, autonomous)	Hot Start: 1.5 sec Cold Start: 26 sec
Power Consumption	250 mW
Dimension	40 (W) x 45 (L) x 16 (H) mm IPX7 Waterproof Cable length of 1.5 m
LED Indication	Permanent ON: Searching for position Blinking: Position is fixed
Operating temperature	-40 ~ 85°C
NTi Audio #	600 000 358