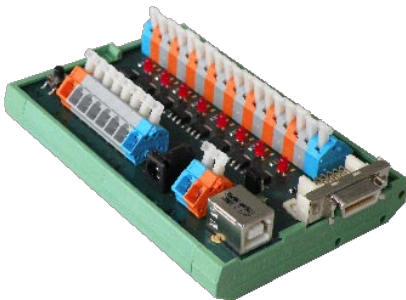


Auxiliary I/O Adapter

For connecting peripheral devices to the FX100 Analyzer



Flexus Auxiliary I/O Adapter

The FLEXUS auxiliary I/O adapter allows to connect external devices such as a foot switch, stack light, PLC etc. to the auxiliary I/O interface of the FX100 audio analyzer. The adapter comprises 6 input / 8 output channels (the latter with LED indicators), a push-button and three different power supply connectors.

The optional foot switch allows to manually trigger the execution of a test cycle. It connects to the Flexus auxiliary I/O adapter via a 3 m cable.

The optional stack light displays the status and the outcome of a test cycle, e.g. Busy = orange, Passed = green, Failed = red. It connects to the Flexus auxiliary I/O adapter via a 2 m cable. Fixing holes are provided in the base for permanent installation.



Foot Switch (optional)

Key Features

- Plug-and-play solution for connecting external devices to the FX100 audio analyzer
- Optional foot switch for triggering
- Optional stack light for visual feedback of test status

Applications

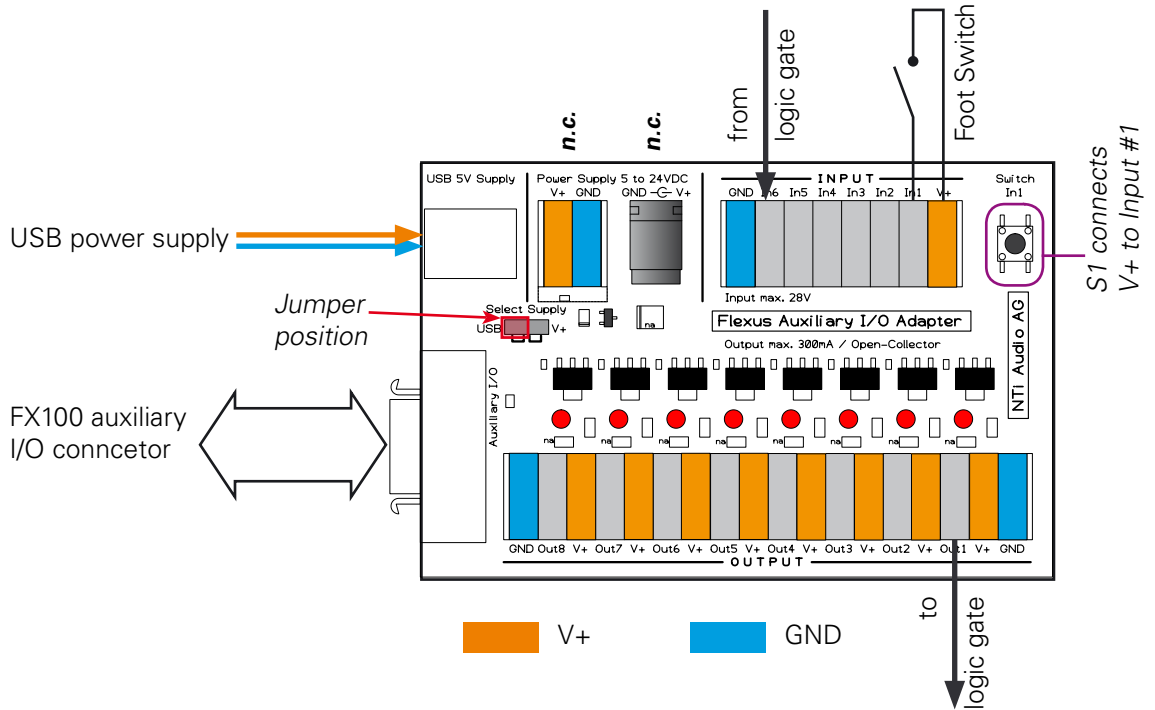
- Production testing
- Automated applications



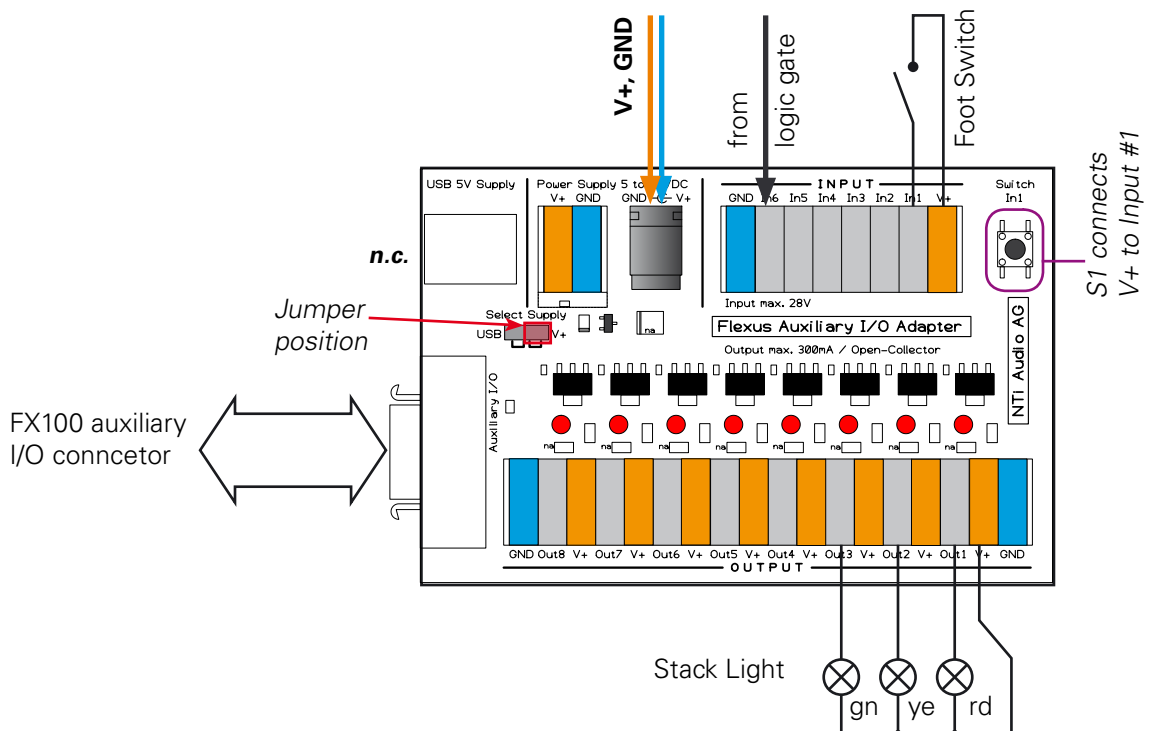
Stack Light (optional)

Wiring

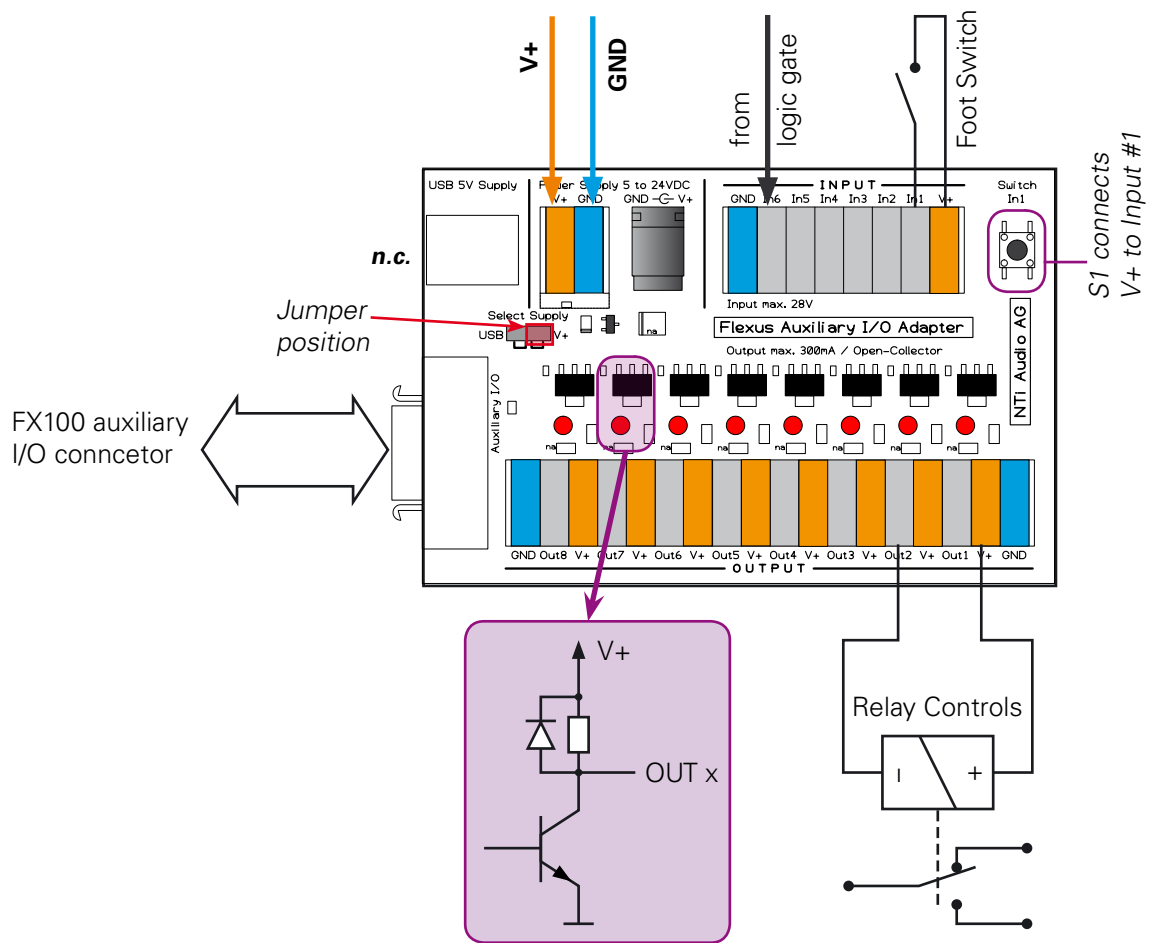
Example #1




Example #2



Example #3



Specifications Flexus Auxiliary I/O Adapter Box

Connectors	<ul style="list-style-type: none"> • MDR 20-pin (auxiliary I/O) • USB type B (power supply only, max. 500 mA) • Power plug: 2.1 x 5.5 x 9.5 mm, +  - • Insulating screw joints
Electrical rating	<ul style="list-style-type: none"> • Power supply: <ul style="list-style-type: none"> 5...24 V min. 100 mA • Input pins (valid input range 0..28 V): <ul style="list-style-type: none"> $V_{IL} = 0.8 V$ max. $V_{IH} = 2.0 V$ min. protection against ext. Voltage: $\pm 42.4 V_p$ • Output pins (open collector): <ul style="list-style-type: none"> $V_{OL} = 100 mV$ max. @ 100 mA pull-up resistor: 2 kΩ $I_{out} = 300 mA$ max.
Board dimensions	113 x 78 x 33 mm (4.45" x 3.0" x 1.3")
Temperature range	-10 to +50 °C (14 to 122 °F)
Humidity	< 90% RH (non-condensing at 50 °C, 122 °F)
Compliance	<ul style="list-style-type: none"> • EN 61326-1 Class B • EN 55011 class B, EN 61000-4-2 to -6 and -11 • Safety EN 60065, EN 61010-1:2001, class II
NTi Audio #	600 061 017

Specifications Foot Switch

Type	Closing switche type
Dimensions	<ul style="list-style-type: none"> • 150 x 98 x 45 mm (5.9" x 3.85" x 1.8") • Cable length: 3 m (10')
NTi Audio #	600 061 018

Specifications Stack Light

Power supply (included)	Input: 100...240 VAC, 50/60 Hz, 500 mA Output: 24 VDC, 620 mA, max. 15 W
Cable connctions	<ul style="list-style-type: none"> • white = V+ • black = red light • grey = yellow light • brown = green light
Dimensions	<ul style="list-style-type: none"> • 232 x 95 x 95 mm (9.15" x 3.75" x 3.75") • Cable length: 2 m (6' 8")
NTi Audio #	600 061 019

All information subject to change without notice.

NTi Audio AG
Im alten Riet 102
9494 Schaan
Liechtenstein, Europe
Phone +423 239 60 60
Fax +423 239 60 89
info@nti-audio.com

NTi Americas Inc.
PO Box 231027
Tigard, Oregon 97281
USA
Phone +1 503 684 7050
Fax +1 503 684 7051
americas@nti-audio.com

NTi China Ltd.
Room 722, 7F, Building 6-3A,
No 1388, Bin He Rd.
215000 Suzhou, China
Phone: +86 512 6802 0075
FAX: +86 512 6802 0097
china@nti-audio.com

NTi Japan Ltd.
Ryogokusakamoto Bldg. 1-8-4
Ryogoku, 130-0026 Sumida-ku
Tokyo, Japan
Phone +81 3 3634 6110
Fax +81 3 3634 6160
japan@nti-audio.com